

# Pneumatic Oil Extractor



## Operational Manual Model No.: JA1040OD

## Safety Warnings and Precautions

**WARNING:** When using tool, basic safety precautions should always be followed to reduce the risk of personal injury and damage to equipment.

- 1. Keep work area clean.** Cluttered areas invite injuries.
- 2. Observe work area conditions.** Do not use machines or power tools in damp or wet locations. Don't expose to rain. Keep work area well lighted. Do not use electrically powered tools in the presence of flammable gases or liquids.
- 3. Keep children away.** Children must never be allowed in the work area. Do not let them handle machines, tools or extension cords.
- 4. Store idle equipment.** When not in use, tools must be stored in a dry location to inhibit rust. Always lock up tools and keep out of reach of children.
- 5. Avoid Unintentional Starting.** Be sure the air pressure is in the off position when not in use and before making hose connection.
- 6. Stay alert.** Watch what you are doing, use common sense. Do not operate any tool when you are tired.
- 7. Check for damaged parts.** Before using any tool, any part that appears damaged should be carefully checked to determine that it would operate properly and perform its intended function. Check for alignment and binding of moving parts; any broken parts or mounting fixtures; and any other condition that may affect proper operation. Any part that is damaged should be properly repaired or replaced by a qualified technician. Do not use the tool if any control or switch does not operate properly.
- 8. Replacement parts and accessories.** When servicing, use only identical replacement parts. Use of any other parts will void the warranty. Only use accessories intended for use with this tool.
- 9. Do not operate tool if under the influence of alcohol or drugs.** Read warning labels if taking prescription medicine to determine if your judgment or reflexes are impaired while taking drugs. If there is any doubt, do not operate the tool.
- 10. Maintenance.** For your safety, service and maintenance should be performed regularly by a qualified technician.

**Note:** Performance of this tool may vary depending on variations in air pressure and compressor capacity.

## Product specific safety precautions

This equipment is designed be operated by qualified personnel. It should only be operated after reading and understanding the safety warnings and operating procedures in this instruction manual.

1. Do not smoke near this equipment.
2. Firework is strictly prohibited during operation, keep away from heat, high voltage, flammable and explosive place
3. Use in a well ventilated area.
4. When leaks are found in the equipment or hoses, immediately turn the air pressure off and repair the leaks.
5. Once leakage is found in the hose or other components during operation, turn off air compressor immediately, conduct a detailed inspection and proceed with troubleshooting.
6. Do not exceed the recommended operating air pressure. This could damage equipment. See specification on Page 5.
7. Keep a type ABC fire extinguisher nearby in case of fires.



8. Always protect your skin and eyes from contact with oil and solvents.



9. Do not start engine during the time of oil extraction. Otherwise it will cause the damage of extraction probes and injuries of people.
10. Be careful for the oil extracted out from the vehicle, as temperature of oil is high, always between 40~60°C
11. Used oil should be properly disposed or recycled. Please contact with your local waste liquid/solid authority for information on recycling.

**Product description:**

1. Fast vacuum speed, capable of high negative pressure, multi-purpose equipment.
2. High quality cylinder, higher intensity, high grade of transparency as well as high temperature resistance (able to withstand 80°C & negative pressure without deforming). Transparent cylinder allows oil observation and measurement.
3. Use compressed air as power source; guarantee the safety in use, Eco friendly and low power consumption
4. Vacuum cylinder and oil tank at a same time, increase oil extraction speed
5. Different diameter of oil suction probes to meet the need of different type of cars
6. Height adjustable Oil tray lift, can be fix to desirable height
7. Can be used with other mechanical engine oil, lubricants as well as temporary storage. Brake fluid, gasoline, diesel and other liquid contains methanol and ketones or flammable is strictly prohibited.

**Specification:**

Functions: Remove and extract waste fluids or oil out from engine and etc. with flexible PVC tube and robust CU probe. Power from compressed air

Air Inlet Pressure: :	0.5~2bar/7.3~29PSI
Ejection pressure:	0.6~0.8 bar/8.7~11.6PSI
Air Consumption: :	150L/Min
Vacuum Degree:	70L
Tank Capacity:	20L
Working Temperature:	40~60°C
Package:	Oil tank/box
Carton size:	470*440*940mm

**Package Contents**

Please inspect and look for damages from shipping when package is first received. If the unit is damaged in any way, please contact customer service and include pictures if possible.

**In the package, you will find:**

- a) English manual
- b) Oil tank
- c) Oil tray
- d) Strain

## **Operation Instruction**

### **1) Setup (Refer below instruction and figure)**

- a) Install the oil tray and lifting pole in 'Clock-wise' direction
- b) Ensure the lifting pole is perpendicular with the machine

**NOTICE: Place the machine in a flat ground to avoid sliding during operation.**

**Oil temperature higher than 80 ° C will cause seriously damage to the components, in worst case it could bring to machine failure.**

### **2) Oil Collection**

Lift the vehicle to proper height

1. Move the oil extractor below the car engine, oil tray position right under the vehicle oil drain hole.
2. Ensure ball valve② is off
3. Open the wing valve③ (by rotating it in anticlockwise direction, vertical sitting as open)
4. Open the mini ball valve①, release tank pressure
5. Release oil drain bolt
6. Waste oil is transfer from the oil tray to the oil tank

### **3) Tank Emptying**

1. Turn off all ball valve
2. Hold the ejection hook and insert it into the external disposal tank
3. Connect the air compressor with the air inlet ①
4. Turn on the mini ball valve ① gradually, adding tank pressure.

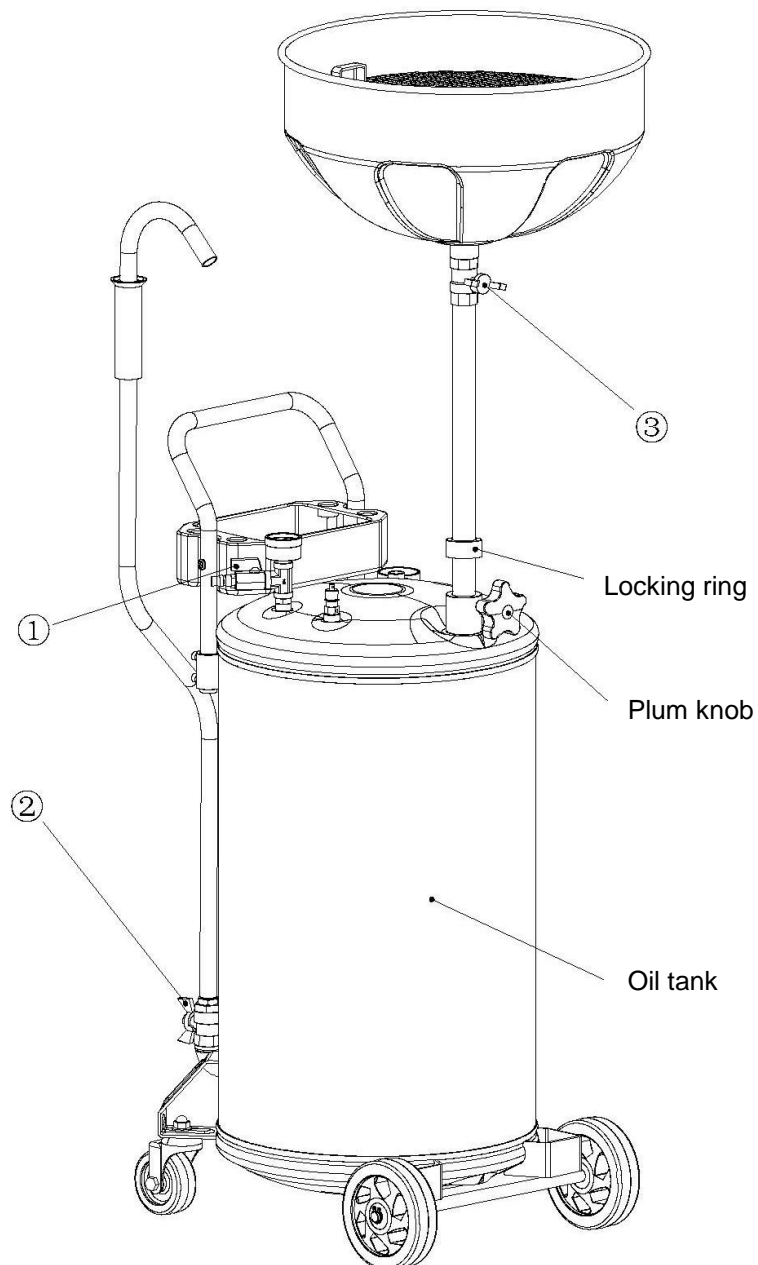
(The valve will automatically release pressure when the tank pressure reaches 1.0 bar/15.4PSI, automatic recovers when pressure reaches 0.8bar/11.6PSI )

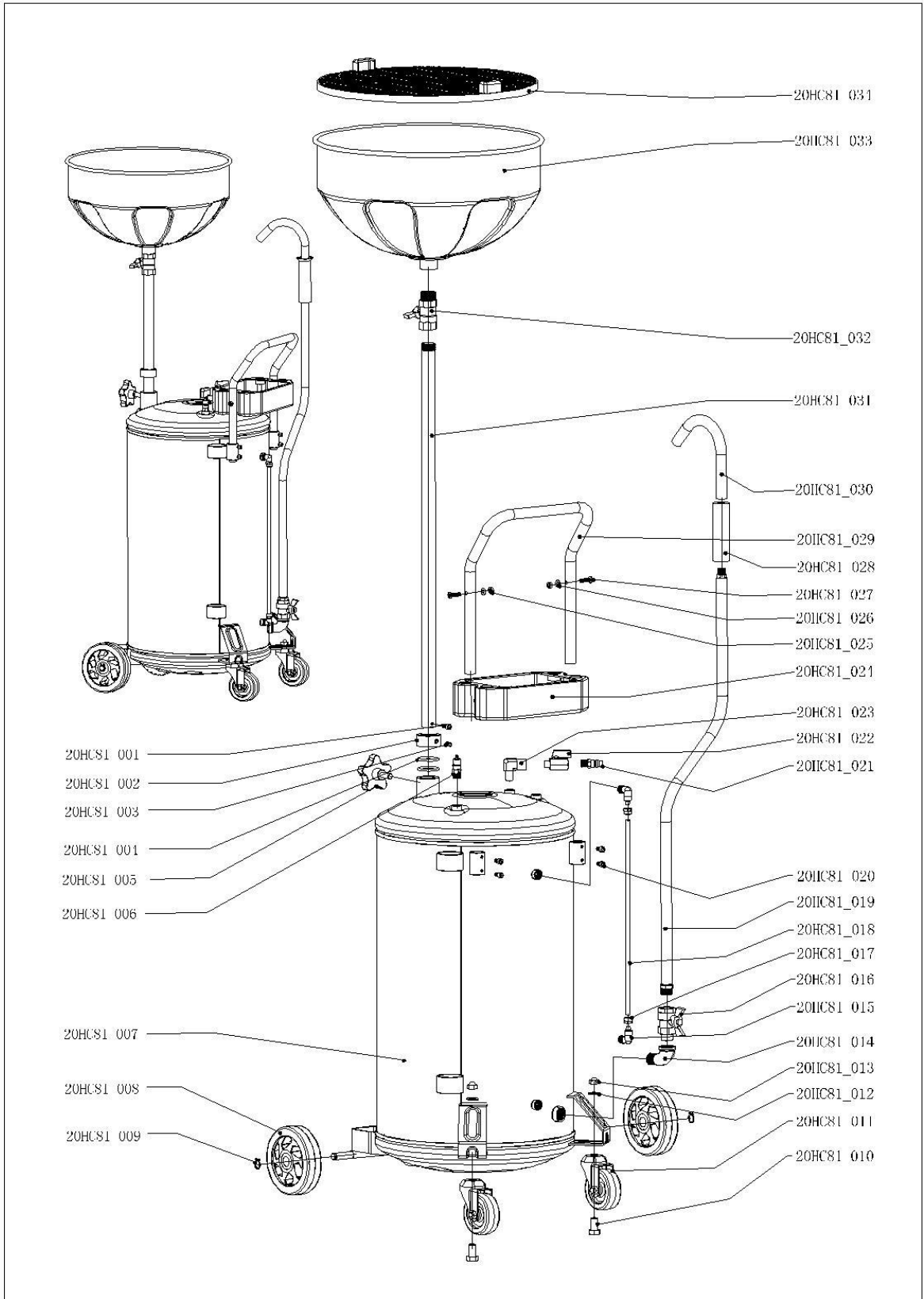
5. Turn on ejection valve ② for oil ejection
6. Cut off air source after ejection, empty tank pressure and turn off all valves.

**Tips:**

1. Benefits for gradually and slowly turn on air inlet valve is for reducing air-consumption and a quicker speed for vacuum-generation.
2. Benefits for vacuum generation of both cylinder and oil tank is fasting the speed of oil transferring.
3. We suggest extract both cylinder and tank to be vacuum when the machine is needed to be used to the place without air compressor. That will benefit long time continuously working.

**FIG:**







Part list

Parts No.	Des.	qty	Parts No.	Des.	qty
20HC81_001	Inside hexagonal screw	1	20HC81_018	Hose	1
20HC81_002	Locking ring	1	20HC81_019	Ejection hose	1
20HC81_003	Hexagonal screw	1	20HC81_020	Inside hexagonal screw	4
20HC81_004	O seal	2	20HC81_021	Wing nozzle	2
20HC81_005	Plum knob	1	20HC81_022	G1/4' mini ball valve	1
20HC81_006	Safety valve	1	20HC81_023	Elbow connector	1
20HC81_007	Oil tank	1	20HC81_024	Tool box	1
20HC81_008	Directional wheel	2	20HC81_025	Hexagonal screw	2
20HC81_009	Snap spring	2	20HC81_026	nut	2
20HC81_010	Hexagonal screw	2	20HC81_027	Flat head hexagonal screw	2
20HC81_011	Universal wheel	2	20HC81_028	Handle set	1
20HC81_012	Nut	2	20HC81_029	Handle	1
20HC81_013	screw	2	20HC81_030	Ejection hook	1
20HC81_014	Quarter bend	1	20HC81_031	Lifting pole	1
20HC81_015	Quarter bend	2	20HC81_032	Wing valve	1
20HC81_016	Wing valve	1	20HC81_033	Oil tray	1
20HC81_017	Hexagonal cover	2	20HC81_034	strain	1





CERTIFICATE

**CERTIFICATE**  
Of Conformity  
With EU MD 2006/42/EC  
LVD 2006/95/EC

Registration No.: AT0712644M-2  
Page 1 of 3

Applicant :

Manufacturer :

Product Name : Pneumatic Lubrication Equipment  
Model No. : HC-2080, HC-2081, HC-2085, HC-2090, HC-2097  
HC-2190, HC-2195, HC-2270, HC-2275, HC-2280  
HG-2930, HG-2940

Applicable Standards : EN ISO 12100:2010  
EN 60204-1:2006+A1:2009

TCF Number(s) : 200712704M-2

The certificate of conformity is based on an evaluation of a sample of the above-mentioned product. Technical report and documentation are at the applicant's disposal. This is to certify that the tested sample is in conformity with all requirements of EU Machinery Directive 2006/42/EC & Low Voltage Directive 2006/95/EC, the certificate does not imply assessment of the production and does not permit the use of Lab's logo. The applicant of the certificate is authorized to use this certificate in connection with EC declaration of conformity to the Directive.



Certified by  
  
Daniel Zhu  
Chief Executives

Nov. 26, 2011  
Date



The CE Marking may only be used if all relevant and effective EC Directives are complied with



Anbotek Compliance Laboratory Limited  
1/F, 1 /Building, SEC Industrial Park, No.4 Qianhai Road, Tel: (86)755-26014771  
Nanshan District, Shenzhen, 518054, China Fax: (86)755-26014772  
[Http://www.anbotek.com](http://www.anbotek.com) Email: [service@anbotek.com](mailto:service@anbotek.com)